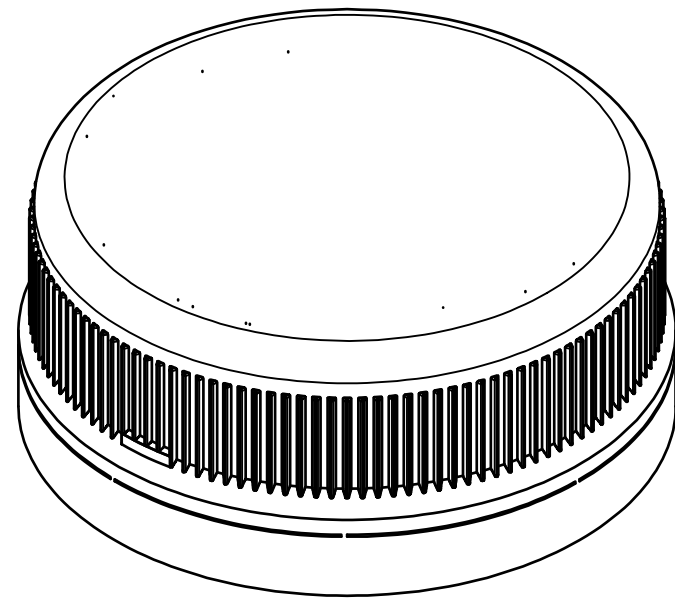
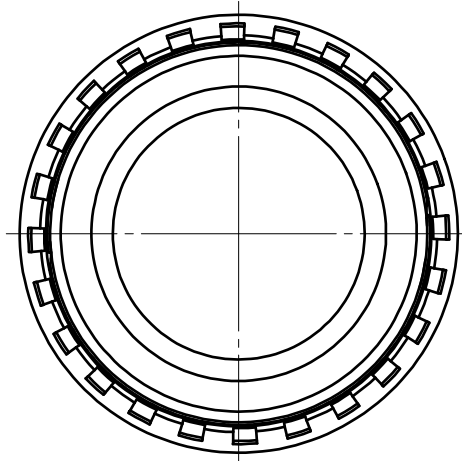
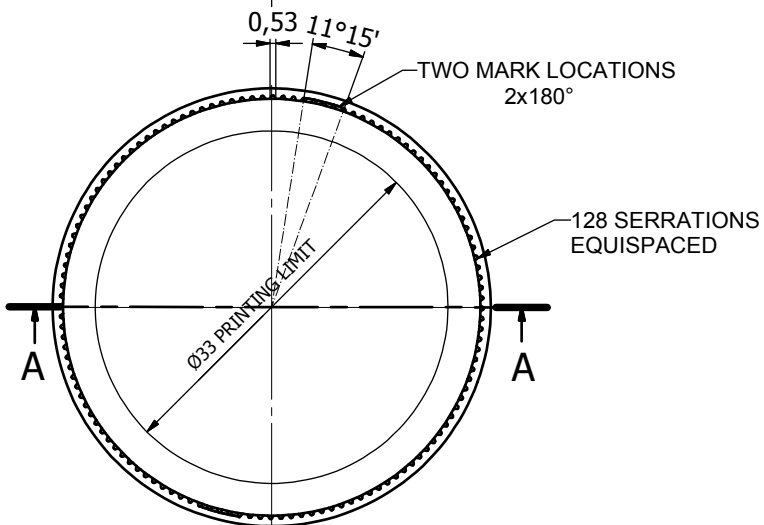
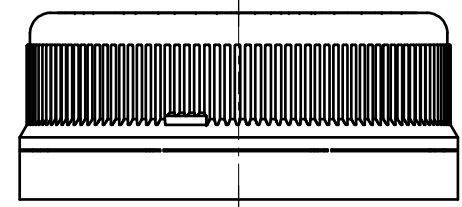
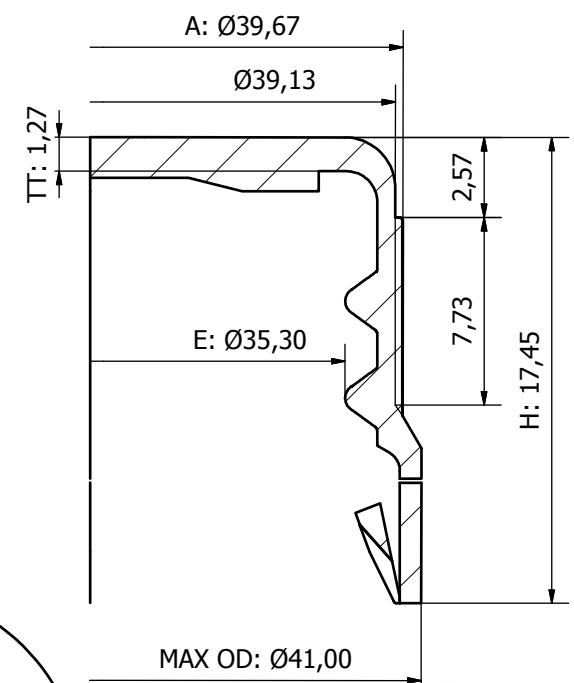


* For application consider Cap Processing Guideline (CPG)
Please contact our customer service for additional information

NOMINAL DIMENSIONS	
E Ø35,30	+/- 0,25
H 17,45	+/- 0,25
A Ø39,67	+/- 0,25
TT 1,27	+/- 0,08
DC -0,15	+0,3/-0,6
Ton, T1, T2	See Note*
WEIGHT	4,0 g



SECTION A-A



müller+krempel
22.250.02 / 22.250.002

CLOSURE INFORMATION		
Tamperband: J-Band	Finisch Type: V04 / F01	Pitch: 7.26mm/360°
Shell Mat. : PP	Closure Type: Hotfill	Threads: 2
Liner Mat. : TPE	Drawing Type: CUSTOMER	
Drawn by: Przemyslaw Syslo	Date: 2008-10-29	Approved by: P. Dobbstein
Drawing number: SWC-200.001.C.03		Date: 2008-10-29
Title: 38 VEF		

CONFIDENTIAL
THIS DOCUMENT IS THE EXCLUSIVE PROPERTY OF SILGAN WHITE CAP. THE INFORMATION CONTAINED HEREIN IS OF A CONFIDENTIAL AND PROPRIETARY NATURE AND MUST BE USED ONLY FOR THE PURPOSE FOR WHICH IT IS DISCLOSED. THE HOLDER AGREES NOT TO DISCLOSE TO A THIRD PARTY AND TO RETURN THE SAME TO SILGAN WHITE CAP. UPON COMPLETION OF USE OR REQUEST THIS DRAWING IS NO LONGER A CONTROLLED DOCUMENT WITHIN SILGAN WHITE CAP. DO NOT ASSUME THAT THIS IS THE CURRENT DRAWING. THE 3D CAD IS THE MASTER MODEL FOR THIS PRODUCT