

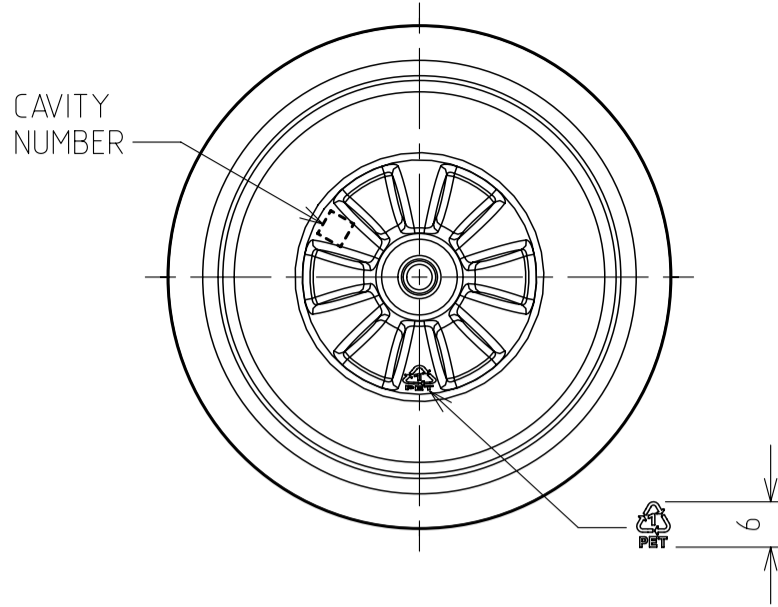
REFERENCE TO WATER DENSITY
 DENSITY VALUES FOR VOLUME CALCULATION:
 DENSITY AT 20°C = 0,99823 g/cm³
 DENSITY AT 90°C = 0,96506 g/cm³

520,6±7 cc AT 90°C
 CORRESPONDING
 TO 503,3±7 cc AT 20°C

6076.Z
Sicas Rundfl.500ml

müller+krempel
 22.250.02 / 22.250.002

BOTTOM VIEW



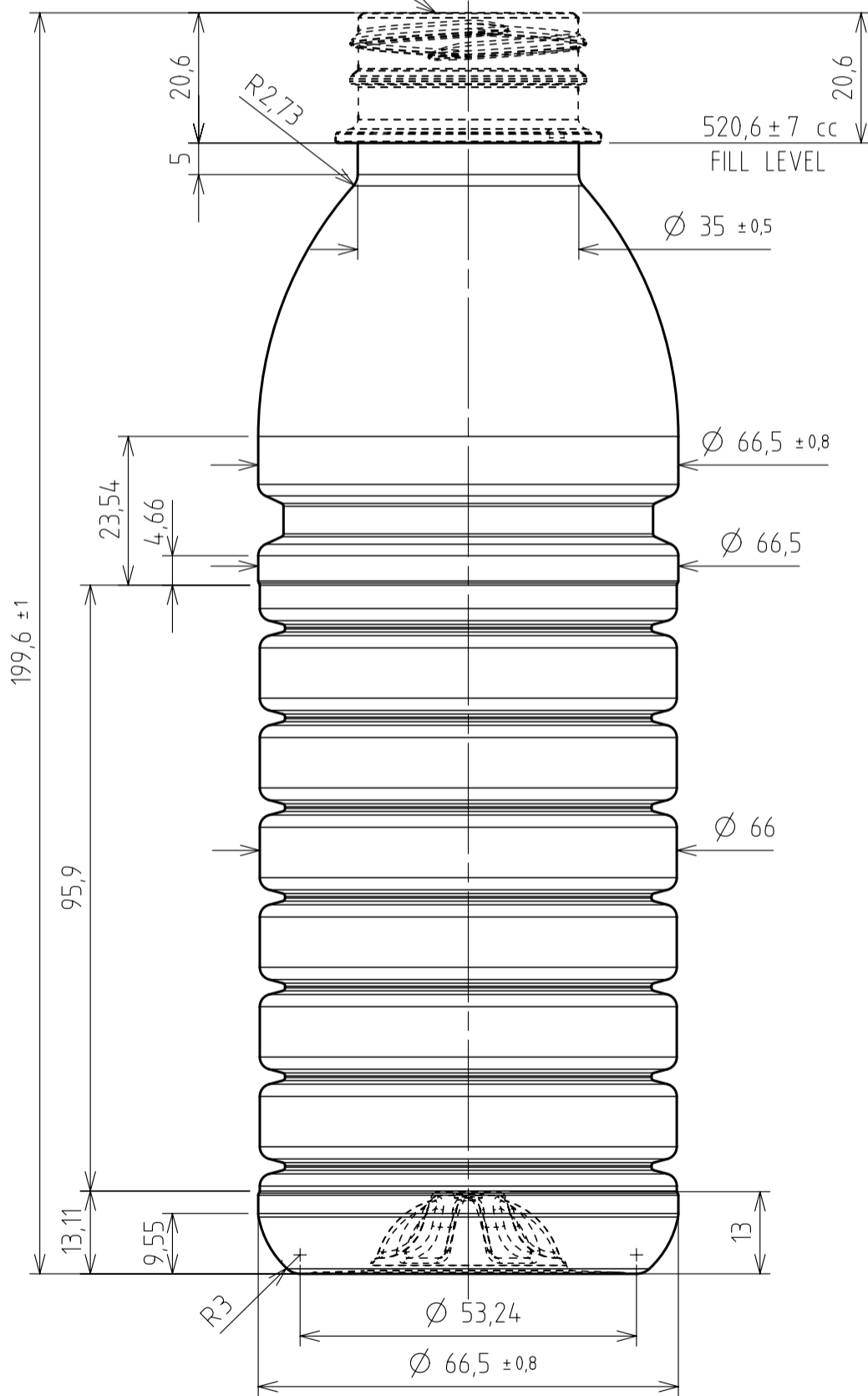
CAVITY NUMBER



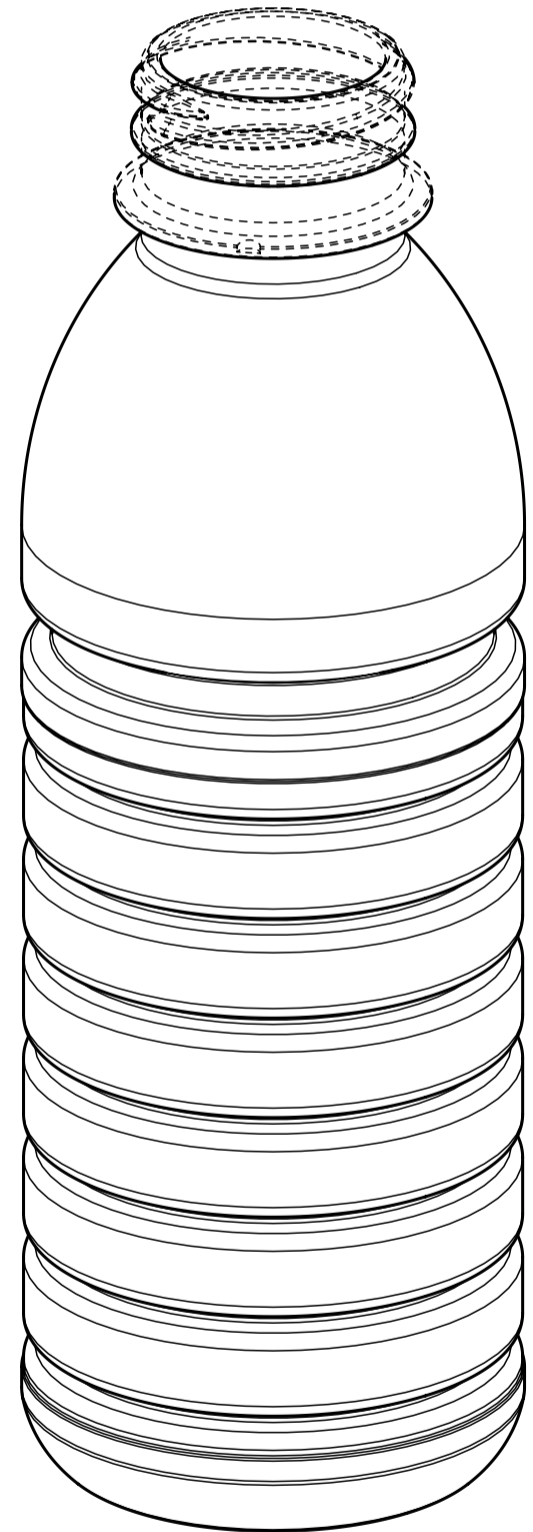
6

FRONT VIEW

38mm ACCORDING TO CUSTOMER DRWG.



3D VIEW



CONFIDENTIAL

DESCRIPTION: 0,5 L HEAT SET BOTTLE		MATERIAL: PET	BOTTLE WEIGHT: (FOR VOLUME CALCULATION ONLY) 32,0 g
			FINISH WEIGHT: 8,78 g
			OVERFLOW: 535,0 +/ - 7 cc
		DIMENSIONS REFERRED TO EMPTY CONTAINER TOLERANCE FOR HANDLING THE DIMENSIONS WITHOUT TOLERANCES ARE ONLY FOR REFERENCE	DRAWING N°: C007590_00
		Date: 18/10/2017	
		Drawn: P. PISTOLATO Checked: D. ZANETTE Approved: D. ZANETTE	

Each modification must be communicated and approved in written form by SIPA SpA